

Table of Content

Casings..... 2



You will find the right cooling solution for your needs easily and reliably from more than 200 different heat sink extrusions. You will find your choice of standard extrusions, sorted by profile width, in the following pages. The display of the geometry and a detailed thermal diagram offer you an initial orientation.

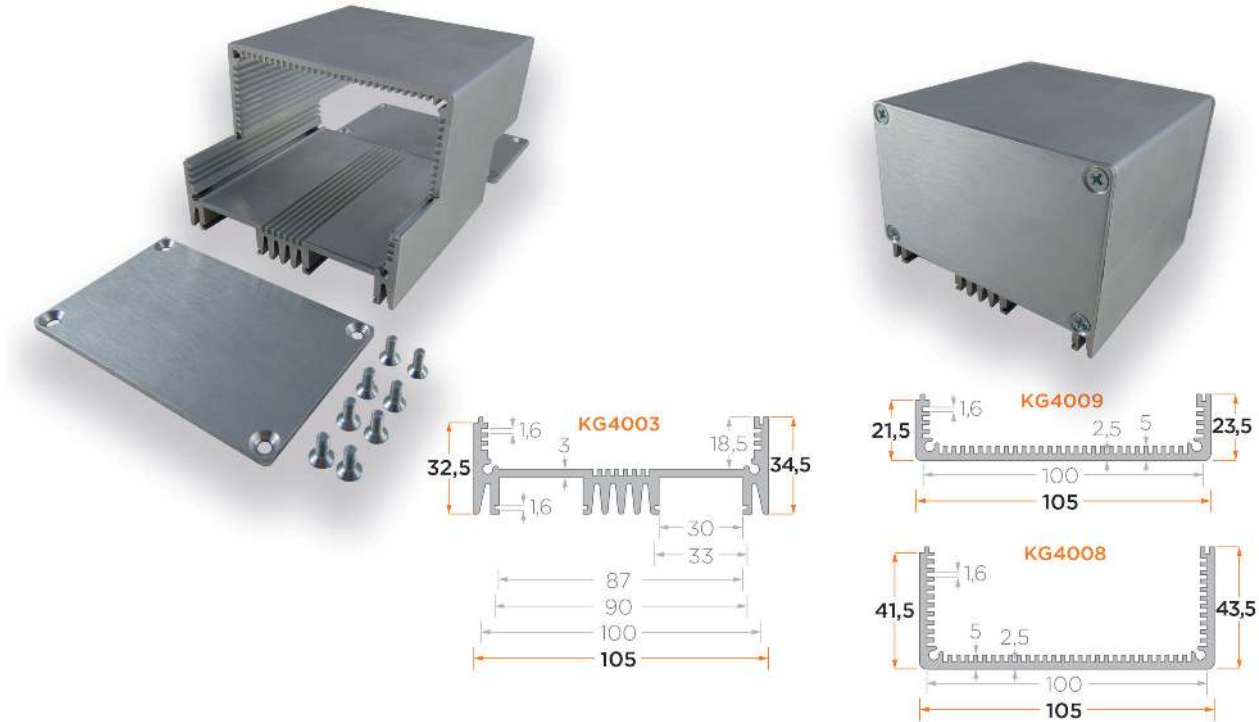
You will find detailed information on our website for each profile as well as 2D and 3D drawings available for download.

If you are unable to find the solution you are looking for in this catalogue, please call us up.

We are constantly expanding our range of products. You can also get the latest information by visiting our website at [www.alutronic.de](http://www.alutronic.de)

**Combination Casing KG 4003 - KG 4008 - KG4009**

- Robust profile casing made from AlMgSi 0.5 F 22 with integrated cooling fins on the base
- Inside with integrated guiding grooves
- Integrated core holes for threaded bore holes  $\varnothing$  3,7 mm
- for holding non-standard components or Euro pcb boards
- Supplied as disassembled kit
- on request with compatible front plates and installation materials
- Special dimensions, machining and surfaces on request



**Rail Mounting SB35**

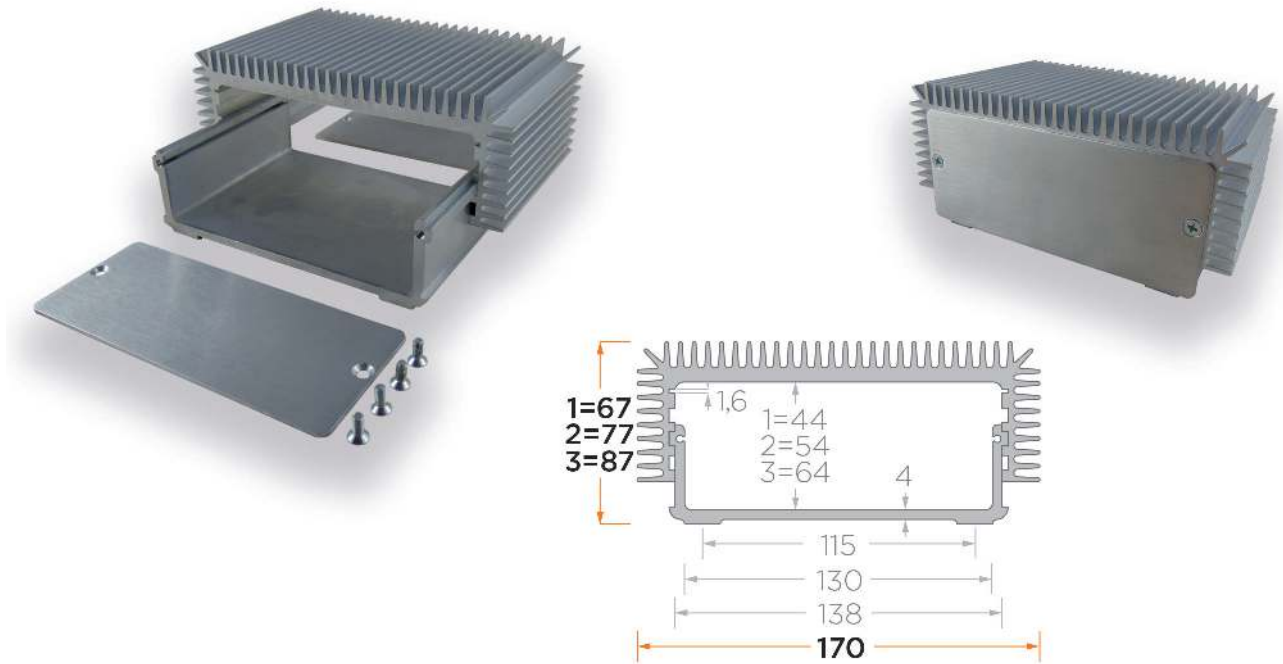
Universal clamp fixture compatible for all 35 mm DIN mounting rails

- Quick and easy installation of heat sinks and housings by snapping on the DIN mounting rail
- Secure hold by robust extruded profile with integrated wire-shaped spring made of stainless steel
- Any lengths as well as fixing bore holes as required by the customer (Length of fixing clamps up to 41 mm)



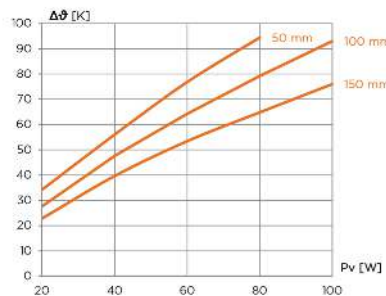
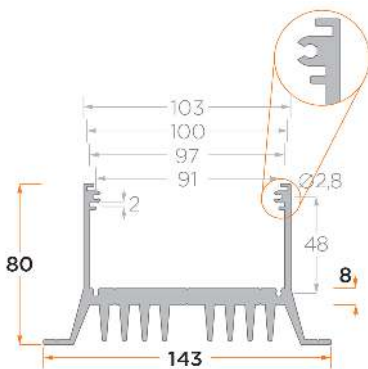
**Heat Sink Casing WG 4291 - WG 4292 - WG 4293**

- Robust profile casing made of AlMgSi 0.5 F 22 with integrated cooling fins
- Side wall with integrated guide grooves
- For holding non-standard components or Euro boards
- In 3 versions of height that can be pushed inside/outside
  - WG 4291 = 44 mm 67 mm
  - WG 4292 = 54 mm 77 mm
  - WG 4293 = 64 mm 87 mm
- Integrated core holes for threaded bore holes  $\varnothing$  3,1 mm
- With matching front plates on request, M4 threaded bore holes and countersunk screws
- Supplied as disassembled kit
- Special dimensions, machining and surfaces on request



**PR 250**

- Housing heat sink with integrated cooling fins
- With standing or fixing feet on the side
- With slide-in grooves for cover plate or printed circuit boards (e.g Euro pcb boards)
- Integrated core holes for threaded bore holes for fixing front plates
- Special dimensions, machining and surfaces on request

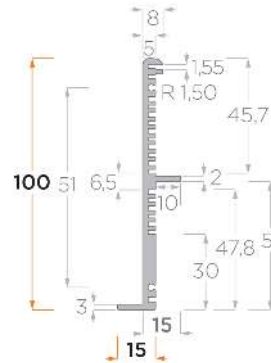


Pv [W]	RthK [K/W]		
20	1,71	1,38	1,14
40	1,4	1,19	0,99
60	1,28	1,07	0,89
80	1,18	0,99	0,81
100		0,93	0,76
mm	50	100	150
g	390	530	790

**Universal Side Profile UP 285**

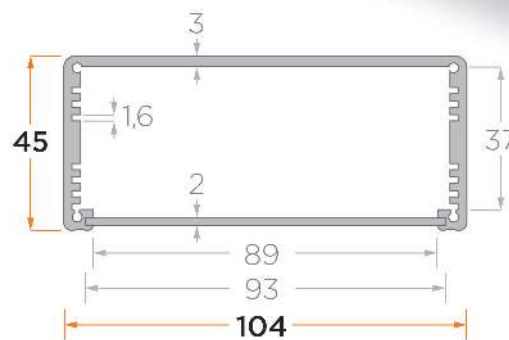
Universal side profile made from aluminium e.g. for construction of a heat dissipating housing with cooling profiles. Especially with flatback profiles, cooling housings of any desired width and length can be constructed.

- Slide-in grooves for printed circuit boards of different thickness
- Screw channels for self-tapping screws for fixing front plates
- Particularly suitable for small quantities
- Fixing to the heat sink with the help of internal bridge (not visible) or on the side at any position of the side profile
- Special dimensions, machining and surfaces on request



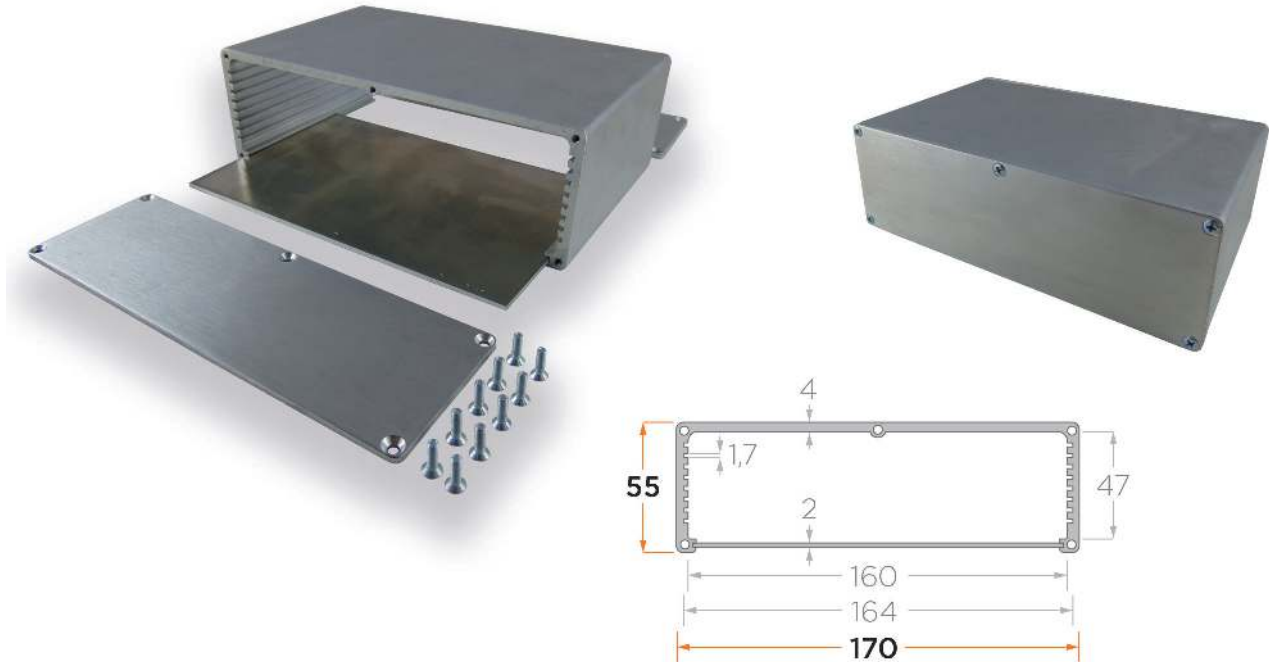
**Shell Casing SG 3400**

- Robust shell housing made from AlMgSi 0.5 F 22 with slide-in base (or cover)
- Side wall with integrated guiding grooves
- For holding non-standard components or Euro pcb boards
- With integrated core holes for threaded bore holes  $\varnothing$  2,5 mm
- On request with M3 thread for compatible front plates and installation materials
- Supplied as disassembled kit
- Special dimensions, machining and surfaces on request



## Shell Casing SG 3500

- Robust shell housing made from AlMgSi 0.5 F 22 with slide-in base (or cover)
- Side wall with integrated guiding grooves
- For holding non-standard components or Euro pcb boards
- On request with M3 thread for compatible front plates and installation materials
- Supplied as disassembled kit
- Special dimensions, machining and surfaces on request



Alutronic offers complete sub-assemblies such as casings!





**We like to have your cooling problems!**  
Determine the thermal resistance requirement to your heat sink solution quick and easy- online with our RthK Calculator at [www.alutronic.com/service/rthk-calculator](http://www.alutronic.com/service/rthk-calculator)