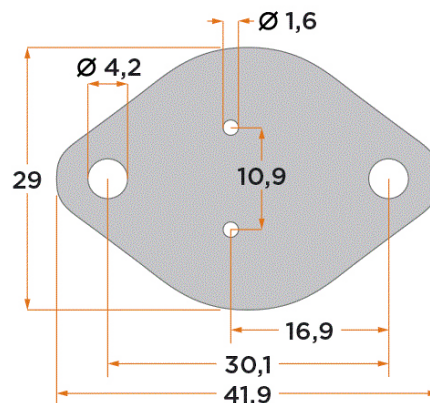


Product Data Sheet Type: SI481

Group: ACCESSORIES Thermal Interface Material

Silicone washers

Electrical insulating :	2,5 kV
Thickness :	0,23
For device :	TO 3
Device mounted by :	Screw
Material :	Silicon w. Glasfibre



Glass fiber reinforced silicone foil in combination with bushes facilitate insulated mounting of semiconductors e.g. on heatsinks. They are highly flexible and ensure optimal heat conductivity even without using thermal compounds.

- Thickness: 0,23mm
- Dielectric strength: app. 5 kV
- Dielectric constant: 2,29 (by 10⁶ Hz)
- Hardness: (Test ASTM D 2240) 85 Shore A
- Elongation: (Test ASTM D 412) 2%
- Colour: grey
- Tolerance: +/-0,02mm
- Temperature range: -60 / +200 °C
- Thermal Conductivity: 0,9 W / mK
- UL listed

